

Micromon Bioanalyzer Service

About the Bioanalyzer

The Agilent 2100 Bioanalyzer is a fully automated microfluidics platform for the quantitation and sizing of DNA, RNA and proteins. It is accurate, reproducible and sensitive, allowing the examination of a much smaller quantity of your sample. Consequently, it has become the industry standard for RNA analysis as evidenced by nearly 15,000 journal article citations.

Results

Data produced by the bioanalyzer is in digital format. You will receive an easy-to-read report (PDF) containing an electropherogram and a simulated gel image. We also provide a data file that can be analyzed using *Bioanalyzer Expert* a software package available from Micromon. Unlike traditional electrophoresis, this allows you to directly compare and overlay different data sets quickly and easily.

Using the Service

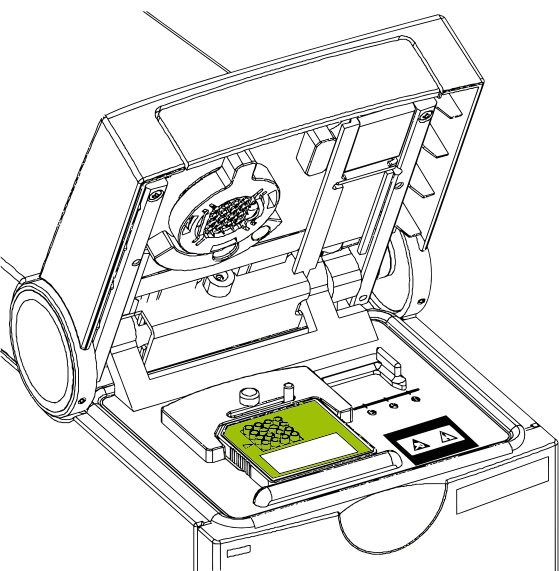
Simply request a sample submission form and provide at $\geq 3 \mu\text{L}$ of each of your sample in a labelled tube. Samples are usually processed per-chip, but fewer samples can be accommodated if required. See below for concentration requirements, sample numbers per chip and pricing.

Chips and Pricing

RNA 6000 Nano (total RNA)	12 samples	25.0 - 500 ng/ μL	\$82
RNA 6000 Nano (mRNA)	12 samples	25.0 - 250 ng/ μL	\$82
RNA 6000 Pico (total RNA)	11 samples	0.05 - 5.0 ng/ μL	\$92
RNA 6000 Pico (mRNA)	11 samples	0.25 - 5.0 ng/ μL	\$92
Small RNA	11 samples	0.05 - 2.0 ng/ μL	\$92
DNA 1000 (25-1000 bp)	12 samples	0.5 - 50 ng/ μL	\$92
DNA 7500 (100-7500 bp)	12 samples	0.5 - 50 ng/ μL	\$92
High sensitivity DNA (50b-7kb)	11 samples	5.0 - 500 pg/ μL	\$92
Protein	Please enquire for protein assay services.		



**Cheapest
Prices in
Victoria!**



Contact Us

Phone (03) 990 58592
 Email MicromonGenomics@monash.edu
 Web <http://DNA.med.monash.edu.au>
 Facebook www.facebook.com/micromon
 Address Building 75 (Level 2 South)
 Monash University
 Wellington Road, Clayton



MONASH University
 Medicine, Nursing and Health Sciences